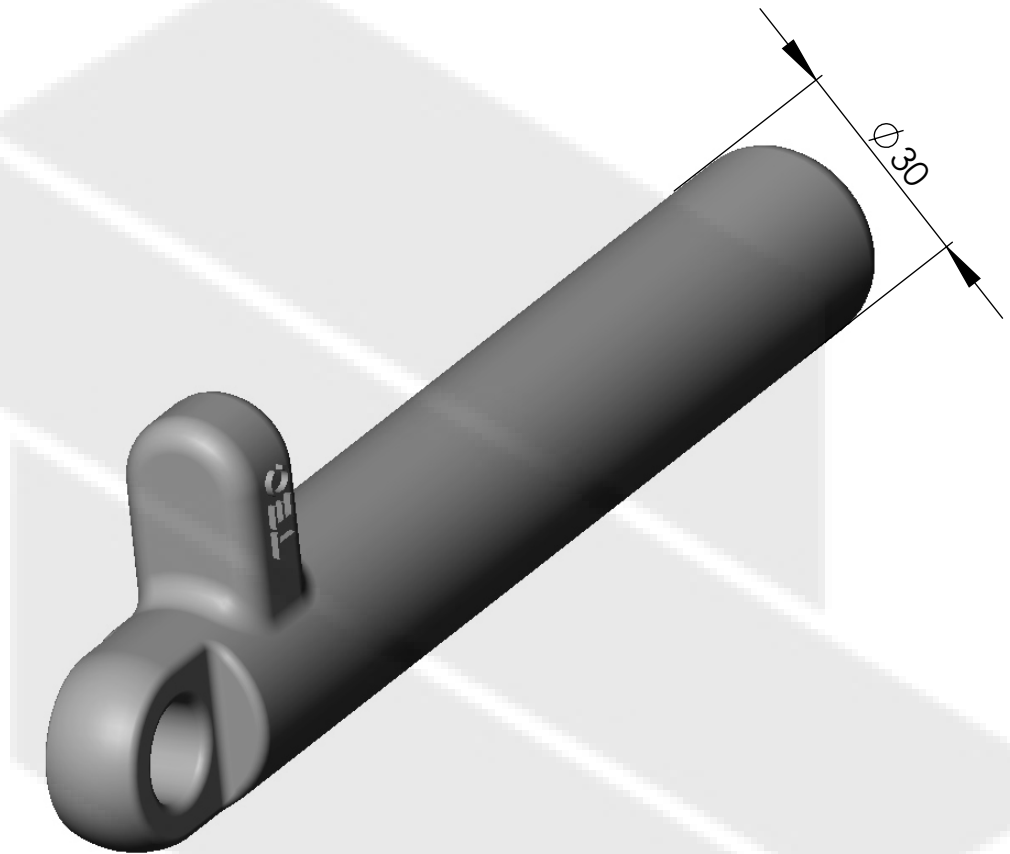


This drawing is valid for commercial purposes only and must not be copied, disclosed or used without our permission



Material:	High tensile steel
Weight:	0.7 kg
SWL	40 kN
BL	80 kN

SALADA INDUSTRIES FOR METAL
 +966 50 016 5914
www.salada.sa
hello@salada.sa



Description:	LOCKING PIN
Reference:	PB-7