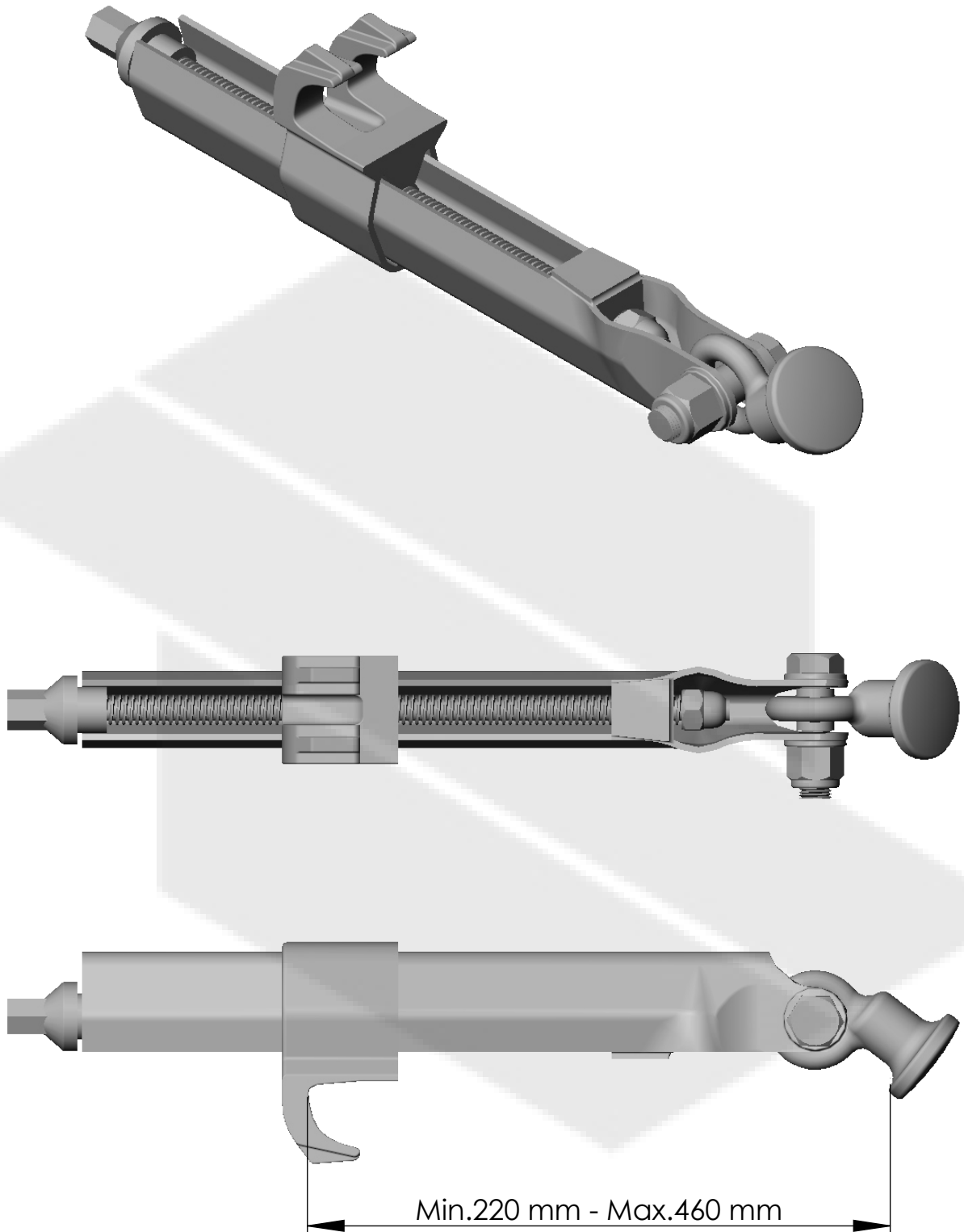


This drawing is valid for commercial purposes only and must not be copied, disclosed or used without our permission



Material: **High tensile steel**

Weight: **8 kg**

SWL **100 kN**

BL **200 kN**

SALADA INDUSTRIES FOR METAL
 +966 50 016 5914
www.salada.sa
hello@salada.sa



Description:

SPEEDLASH TURNBUCKLE

Reference:

TE-45-20-1