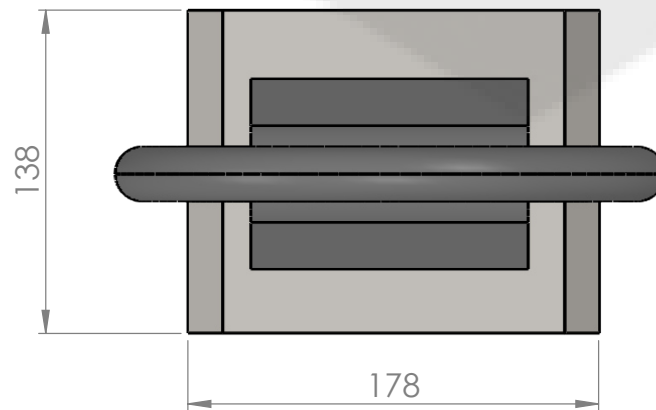
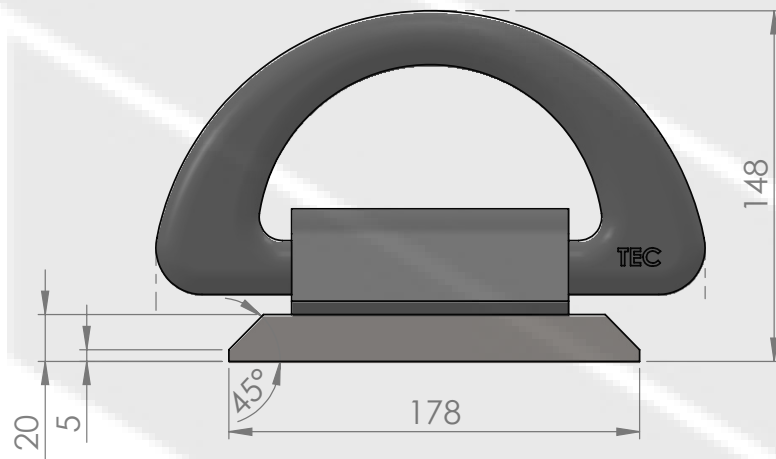
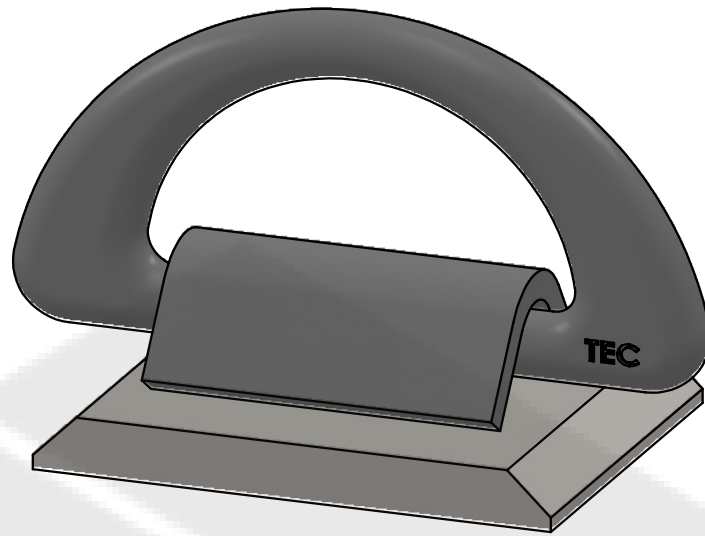


This drawing is valid for commercial purposes only and must not be copied, disclosed or used without our permission



Material:	High Tensile Steel Grade 80
Weight:	6.00 Kg
SWL	180 kN
BL	360 kN

SALADA INDUSTRIES FOR METAL
 +966 50 016 5914
www.salada.sa
hello@salada.sa



Description:

DOVETAIL D-RING(45°)

Reference:

FA-30-1(45)