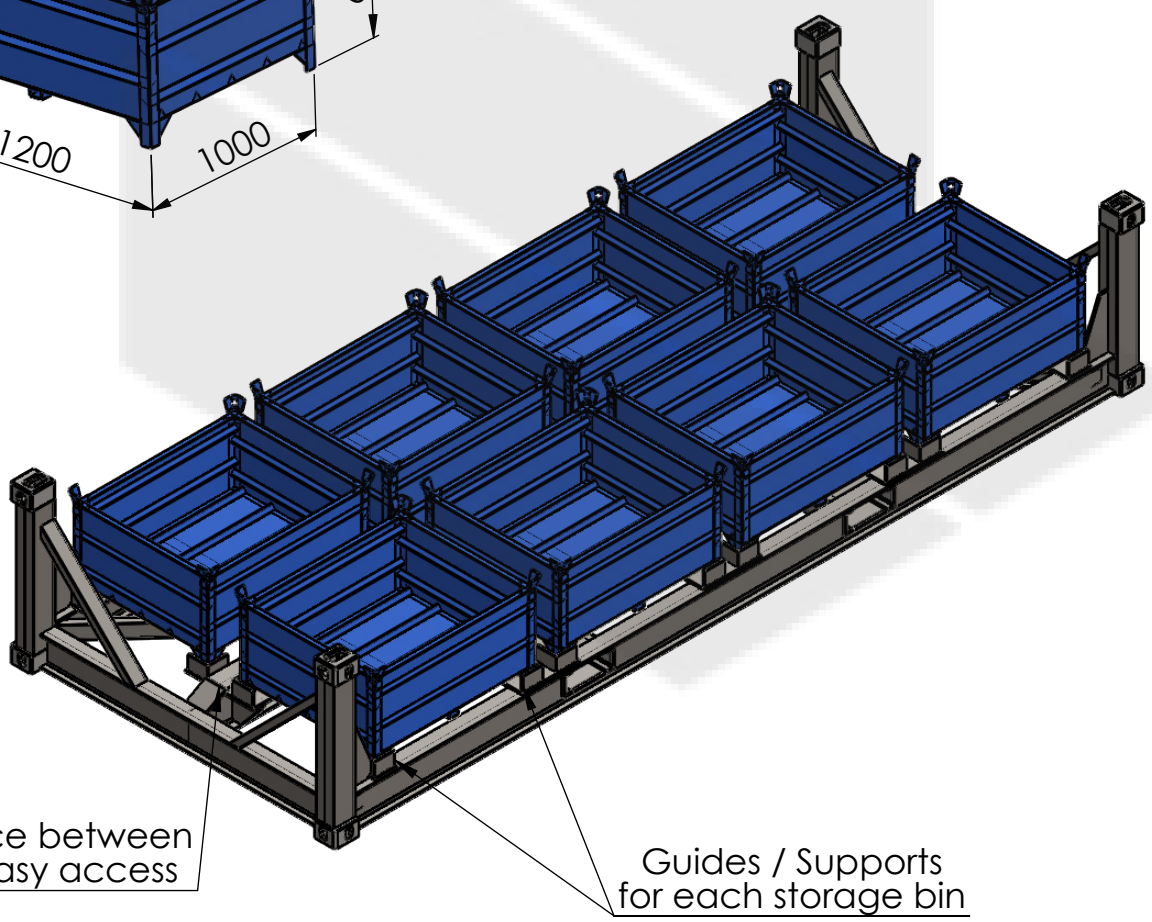
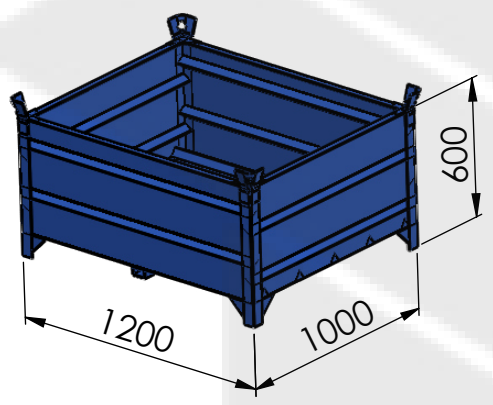


This drawing is valid for commercial purposes only and must not be copied, disclosed or used without our permission

**STORAGE BIN - CE-003**

Tare: 66 kg  
S.W.L. : 20 kN



Material:	Structural Steel
Weight:	1480 kg
SWL	200 kN
BL	N/A kN

SALADA INDUSTRIES FOR METAL  
+966 50 016 5914  
[www.salada.sa](http://www.salada.sa)  
[hello@salada.sa](mailto:hello@salada.sa)



Description:  
**20' FLATRACK + STORAGE BIN**

Reference:  
**PM-01(20')**