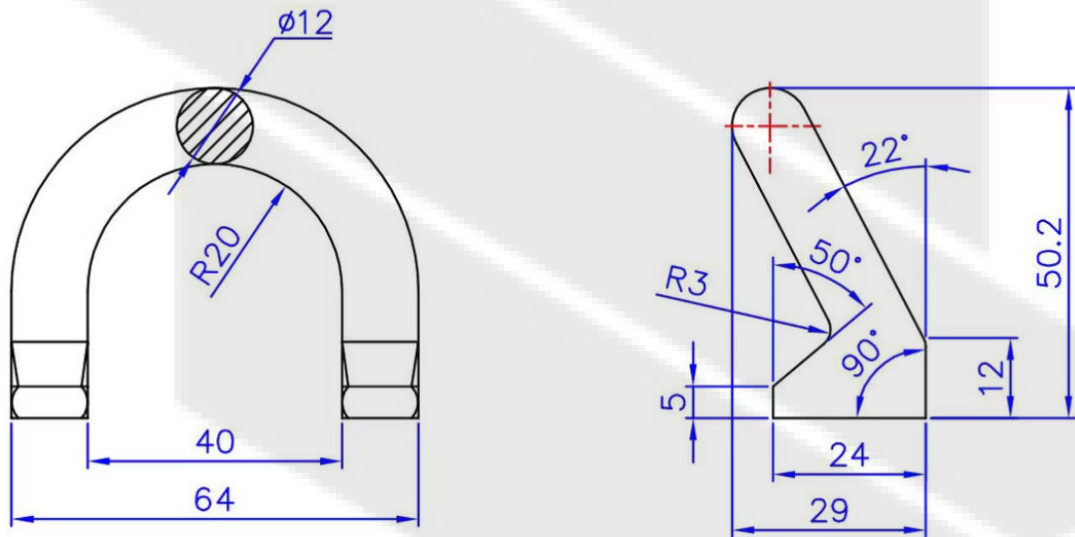


This drawing is valid for commercial purposes only and must not be copied, disclosed or used without our permission

D30-03
 Ø12X140 For Top and Bottom Side Rail



Material:	
Weight:	
SWL Tension	SWL Shear
BL Tension	BL Shear

SALADA INDUSTRIES FOR METAL
 +966 50 016 5914
www.salada.sa
hello@salada.sa



Description:
Weld-On D-Rings / Lashing Rings
Reference:
WDR-01