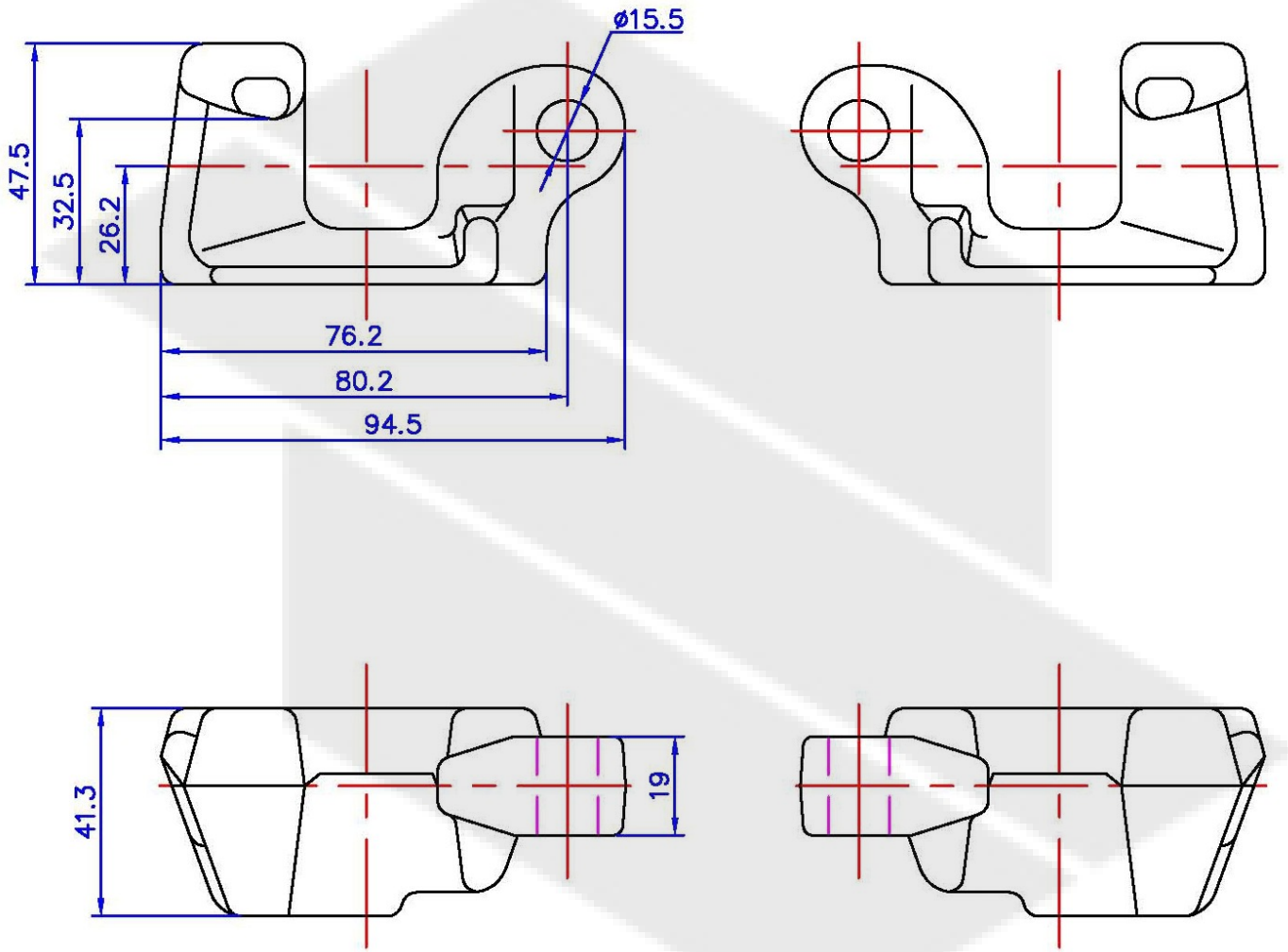


This drawing is valid for commercial purposes only and must not be copied, disclosed or used without our permission



Material:	
Weight:	
SWL Tension	SWL Shear
BL Tension	BL Shear

SALADA INDUSTRIES FOR METAL  
 +966 50 016 5914  
[www.salada.sa](http://www.salada.sa)  
[hello@salada.sa](mailto:hello@salada.sa)



Description:  
**Door Security Keeper**

Reference:  
**DSK-01LH**