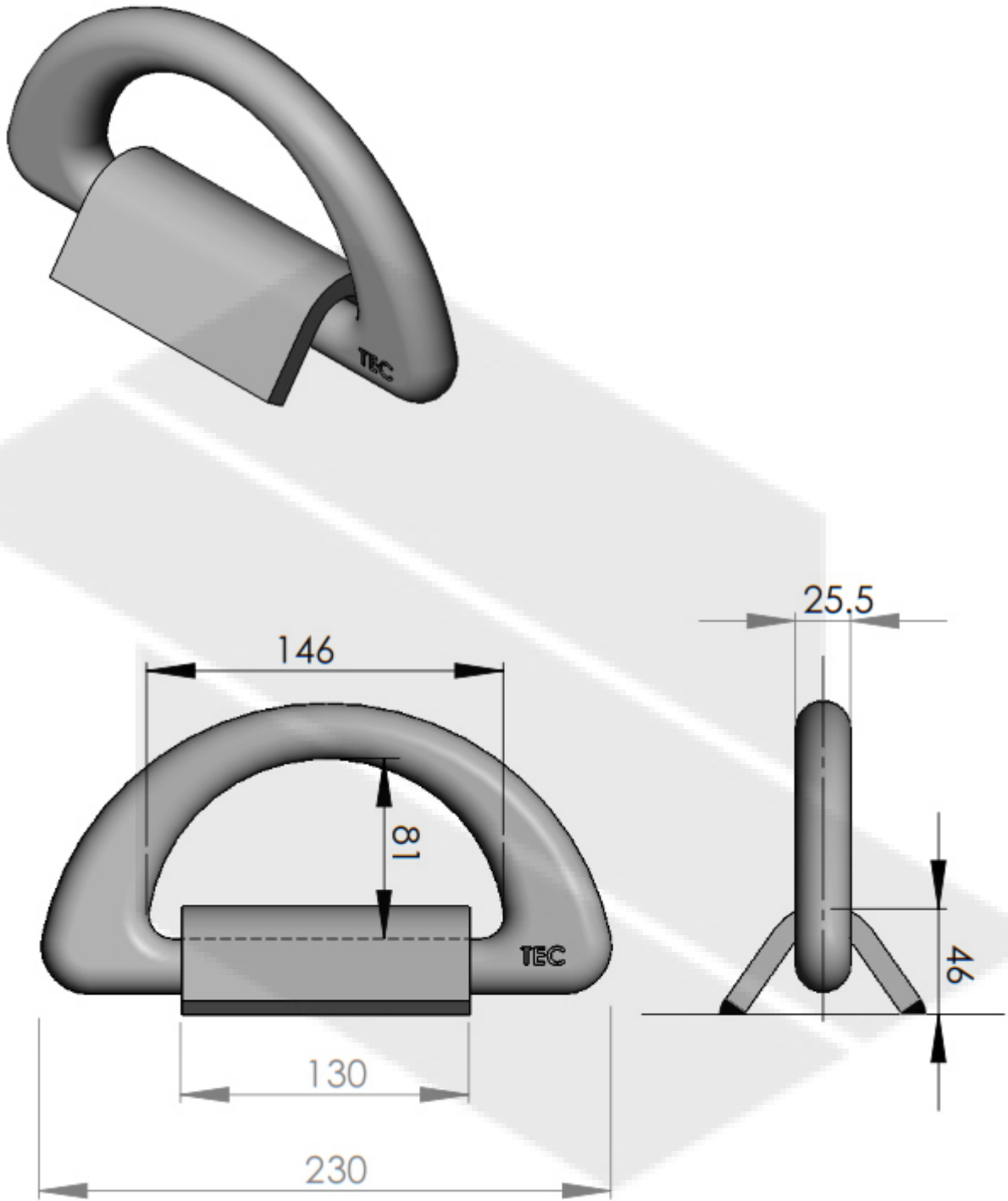


This drawing is valid for commercial purposes only and must not be copied, disclosed or used without our permission



Material:	High Tensile Steel Grade 80
Weight:	4.5 Kg
SWL	250 kN
BL	500 kN

SALADA INDUSTRIES FOR METAL  
 +966 50 016 5914  
[www.salada.sa](http://www.salada.sa)  
[hello@salada.sa](mailto:hello@salada.sa)



Description:

**D-RING WITH STRAP**

Reference:

**FA-01-1(50)**