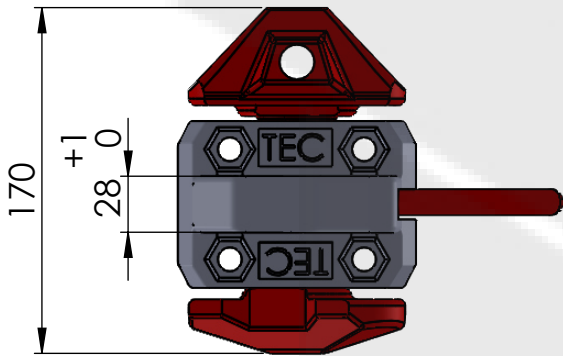
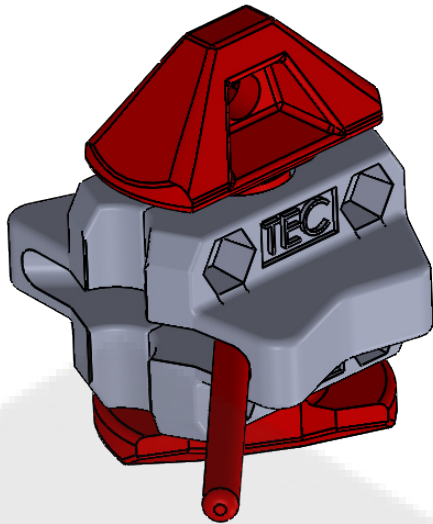
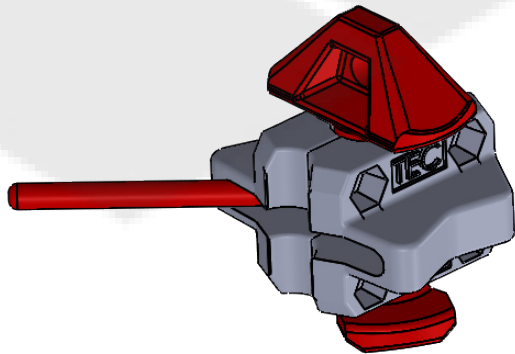
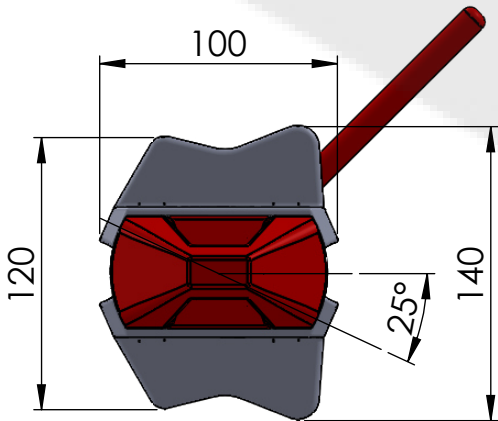
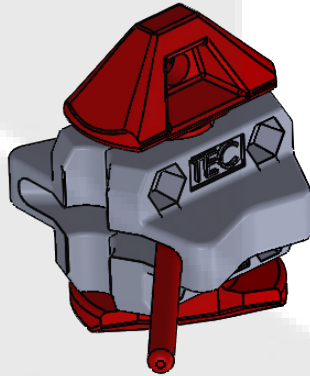


This drawing is valid for commercial purposes only and must not be copied, disclosed or used without our permission



90°



Material: Ductile iron (housing)
Drop forged (cone)

Weight: 4.9 kg

SWL Tension	250 kN	SWL Shear	210 kN
-------------	--------	-----------	--------

BL Tension	500 kN	BL Shear	420 kN
------------	--------	----------	--------

SALADA INDUSTRIES FOR METAL
+966 50 016 5914
www.salada.sa
hello@salada.sa



Description:

MANUAL TWISTLOCK

Reference:

CI-5-1L